

3601 / 3603 Stylized Paddle Latch

Features

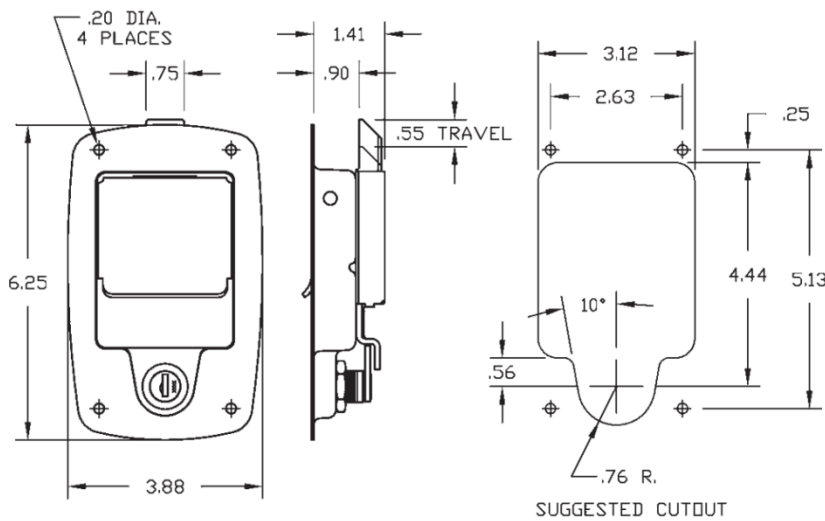
- Stylized paddle latches with single slam bolt, available in carbon steel or stainless steel
- Single point engagement
- Latch is furnished with a double-bitted key cylinder as a standard feature for key locking model as a standard feature for key locking model
- Non-key locking option also available

Material

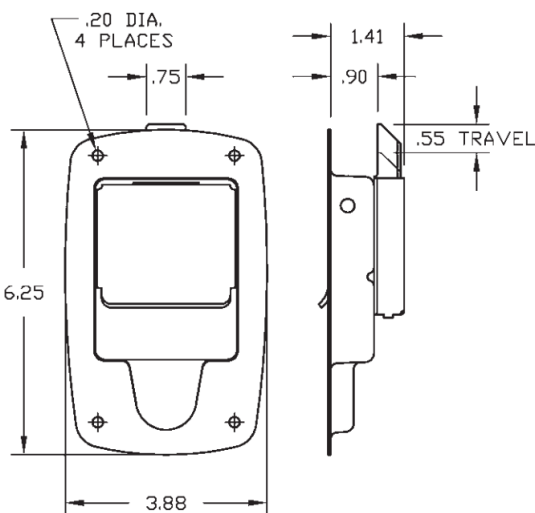
- Carbon steel, zinc finish or polished stainless steel



Locking Model (3C-3601-SS)



Non-Locking Model (3C-3603-SS)



Part No.	Type	Material	Mount
3C-3601-SS	Key Locking	Stainless Steel	Mounting Holes
3C-3601		Carbon Steel	Blind Mount Studs
4C-3601			
3C-3603-SS	Non Locking	Stainless Steel	Mounting Holes
3C-3603		Carbon Steel	Blind Mount Studs
4C-3603			

Dimensions in inches



We are Eberhard's exclusive distributor